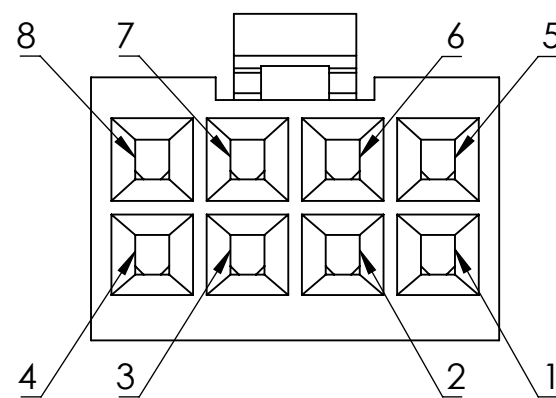
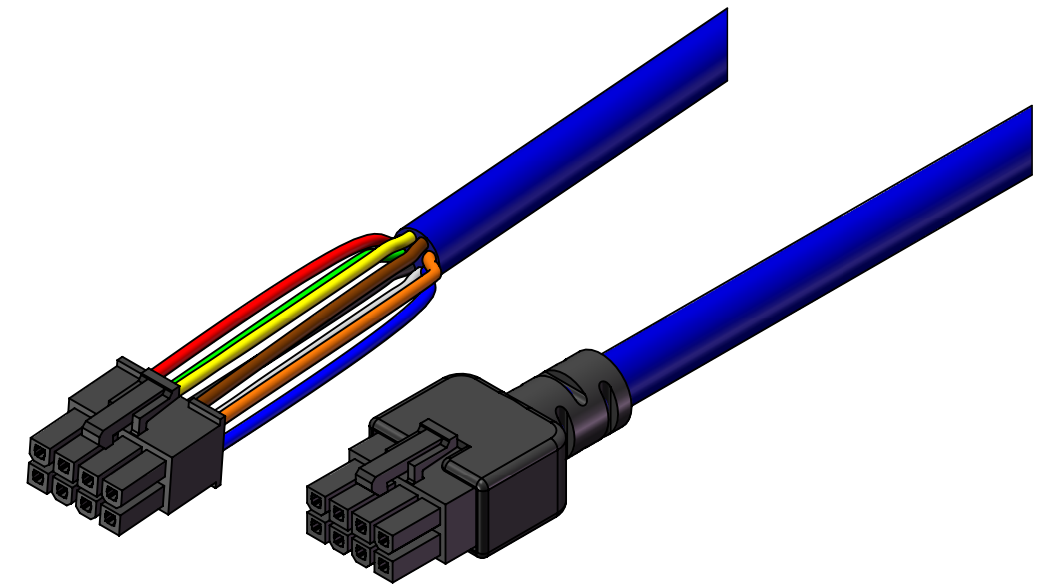


ClearPath[®] Motor Control Cable

Molex Mini-Fit Jr. 8 to Molex Mini-Fit Jr. 8, 10ft [3.05m]

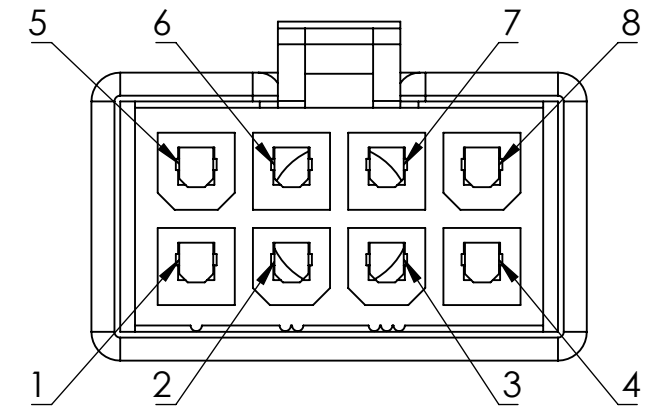
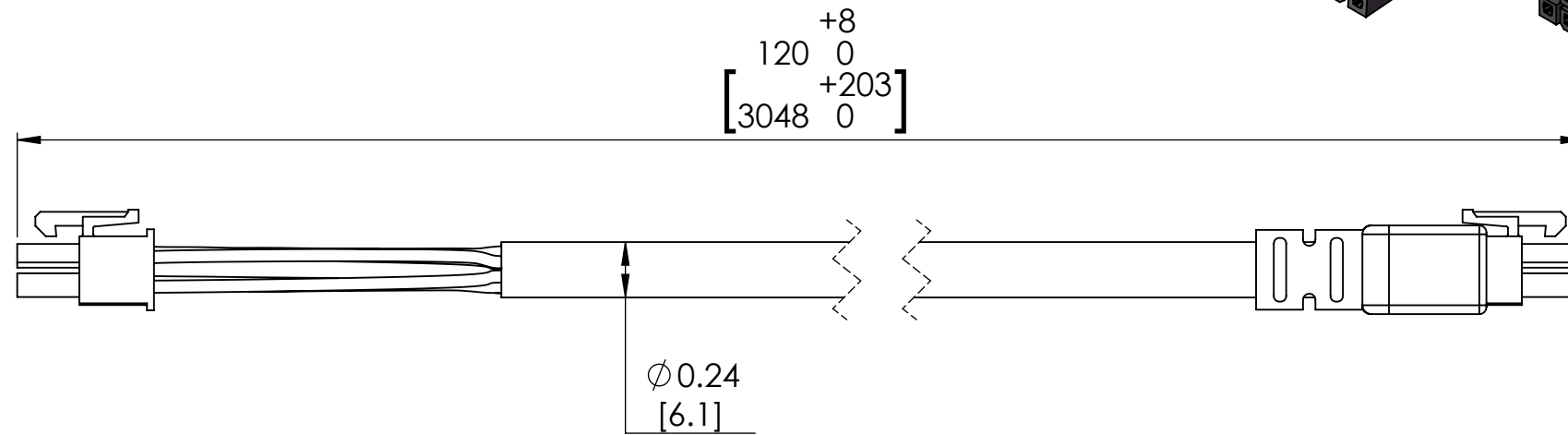
PN: CPM-CABLE-CTRL-MU120

All dimensions are in inches [mm] unless otherwise noted.
Sheet Scale 1:1



P1 Molex Mini-Fit Jr. 8

Wire Entry View
Scale 3:1



P2 Molex Mini-Fit Jr. 8

Front View
Scale 3:1

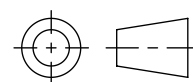
Terminal Assignment Table

| P1 Terminal | Wire Size | Wire Color | MC/SD Signal Name | IP/SC Signal Name | P2 Terminal |
|-------------|-----------|------------|-------------------|--------------------|-------------|
| 1 | 22-24 AWG | Green | HLFB+ | Data- (from motor) | 1 |
| 2 | 22-24 AWG | Black | Input B+ | Input B+ | 2 |
| 3 | 22-24 AWG | White | Input A+ | Input A+ | 3 |
| 4 | 22-24 AWG | Blue | Enable+ | Data+ (to motor) | 4 |
| 5 | 22-24 AWG | Red | HLFB- | Data+ (from motor) | 5 |
| 6 | 22-24 AWG | Yellow | Input B- | Input B- | 6 |
| 7 | 22-24 AWG | Brown | Input A- | Input A- | 7 |
| 8 | 22-24 AWG | Orange | Enable- | Data- (to motor) | 8 |

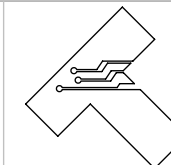
Teknic, Incorporated

Victor, NY 14564 USA

This document and related electronic files are the sole property of Teknic, Incorporated and contain proprietary information.



Third-Angle Projection



Additional documentation including product specifications, up-to-date compliance information, and manuals can be downloaded from Teknic's website.

Visit <https://www.teknic.com/> to access that documentation.

DWG. NO./REV
D1251/C

TITLE: ClearPath[®] Motor Cables

1 of 4 Sheets