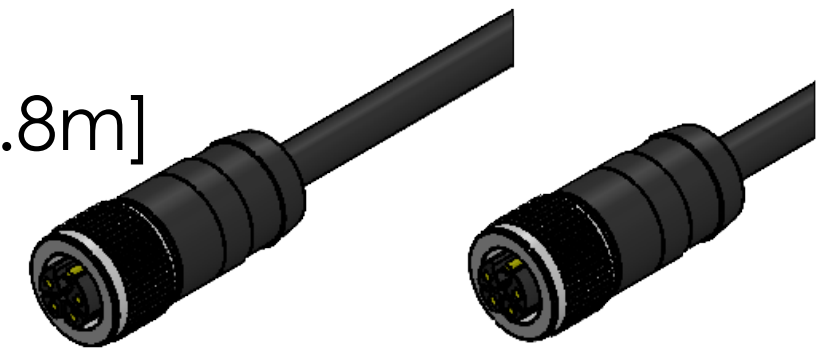
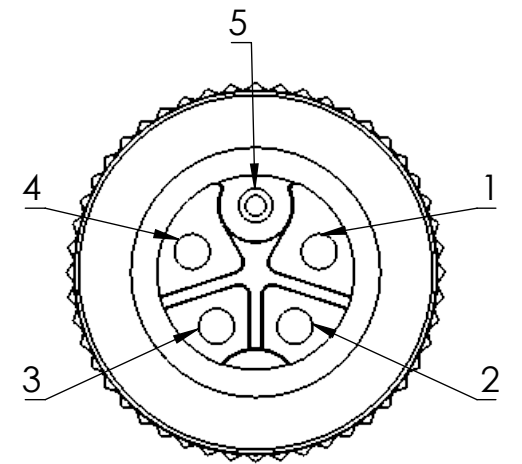


ClearPath[®] Motor IP66K/IP67 Power Cable

M12 K-coded (Female) to M12 K-coded (Female), 55ft [16.8m]
 PN: CPMS-CABLE-PWR-KK660

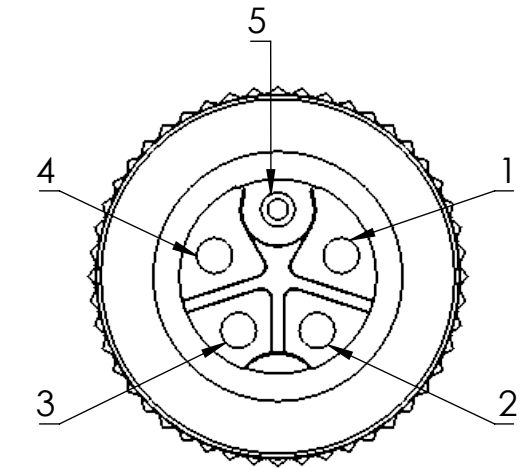
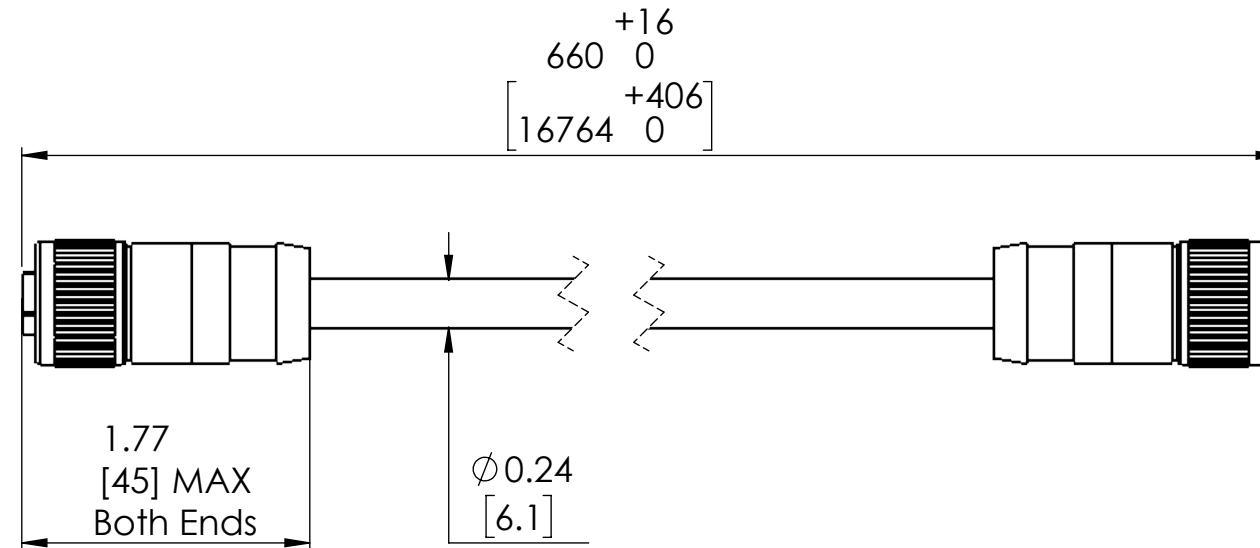


All dimensions are in inches [mm] unless otherwise noted.
 Sheet Scale 1:1 unless otherwise noted



P1 M12 K-coded (Female)
 Front View

Scale 3:1



P2 M12 K-coded (Female)
 Front View

Scale 3:1

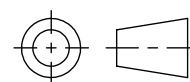
Terminal Assignment Table

P1 Terminal	Wire Size	Color	Signal	P2 Terminal
1	16 AWG	Red	Bus Power +	1
2	16 AWG	Black	Bus Power -	2
3	22 AWG	Blue	Logic Power -	3
4	22 AWG	Orange	Logic Power +	4
5	N.C.	-	-	5

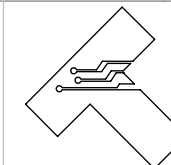
Teknic, Incorporated

Victor, NY 14564 USA

This document and related electronic files are the sole property of Teknic, Incorporated and contain proprietary information.



Third-Angle Projection



Additional documentation including product specifications, up-to-date compliance information, and manuals can be downloaded from Teknic's website.

Visit <https://www.teknic.com/> to access that documentation.

DWG. NO./REV

D1239/D

TITLE: ClearPath[®] IP66K/IP67 Motor Cables

1

of 4 Sheets